

We provide engineering solutions

KANAGATA Technologies Private Limited
174 D, Anand Industrial Estate, Mohan Nagar,
Ghaziabad (U.P) -201007 . INDIA
GSTIN: 09AAHCK1100B1ZA
Phone: + 91 7767986000
+ 91 9899292025
Website: <http://www.kanagata.in/>

About Us



- **30+** years of expertise in Tools and Machines
- **45** employees
- **2014** Onwards
- **11** Prestigious customers onboard
- **ISO 9001: 2015** Certified Company
- **4000** Sq. ft. Tool Room area + **7000** Sq. ft. (Plant-2)
- **174** D, Anand Industrial Estate,
Mohan Nagar, Ghaziabad (U.P) - 201007

Infrastructure & Machineries



CNC Wire-Cut EDM-Electronica Sprint cut



CNC Wire-cut EDM-Mitsubishi Make

Infrastructure & Machineries



VMC(COSMOS)-1050mm x650mm x610mm



VMC(COSMOS)-650mm x450mm x500mm

KANAGATA Technologies Pvt Ltd.



Infrastructure & Machineries



ZNC EDM(JOEMARS)- 650mm x400mm x200mm



Conventional Machineries

KANAGATA Technologies Pvt Ltd.

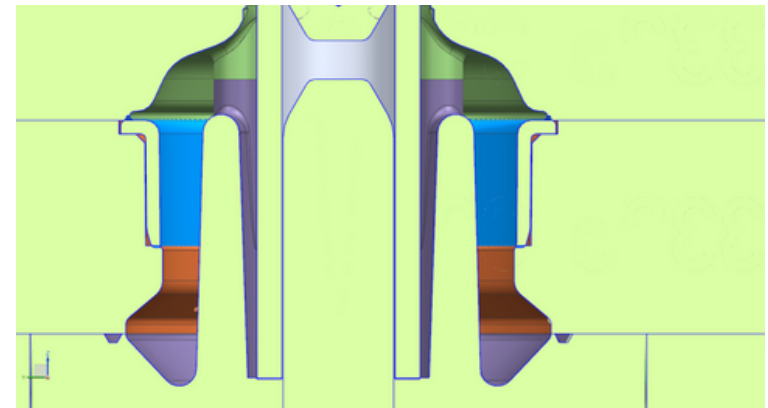
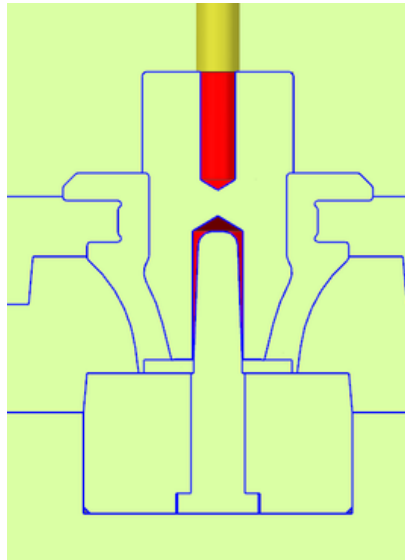
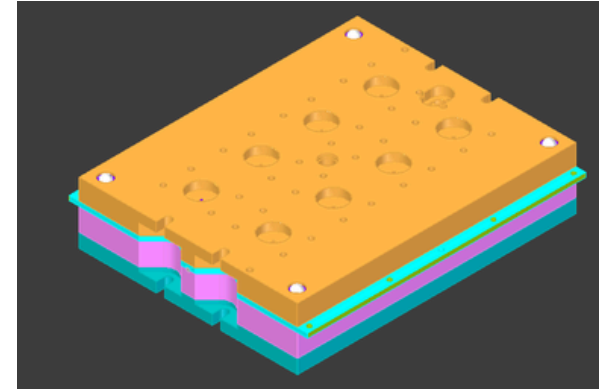
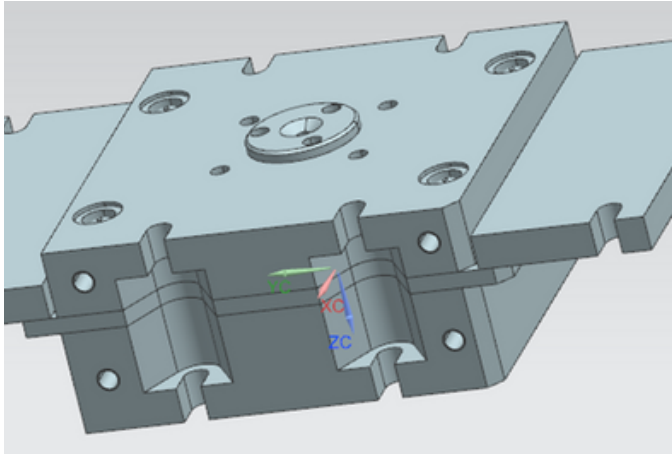


Infrastructure & Machineries



- CNC Wire-cut EDM Mitsubishi Make - 01
- CNC Wire-cut EDM Electronica Sprint cut - 01
- VMC(COSMOS)-1050mm x650mm x610mm - 01
- VMC(COSMOS)-650mm x450mm x500mm - 01
- VMC(BFW)-800mm x500mm x 500mm - 01
- ZNC EDM(JOEMARS)- 650mm x400mm x200mm -01
- CNC Lathe - 01
- Milling - 04
- Lathe Machine - 01
- Surface Grinder - 05
- Drilling Machine - 02
- Surface Plate & other Measuring Devices
- Laser Marking Machine
- Tapping Machine
- Pantograph

Technical Capabilities



KANAGATA Technologies Pvt Ltd.





**DOUBLE RACK MOULD
FOR CRB**

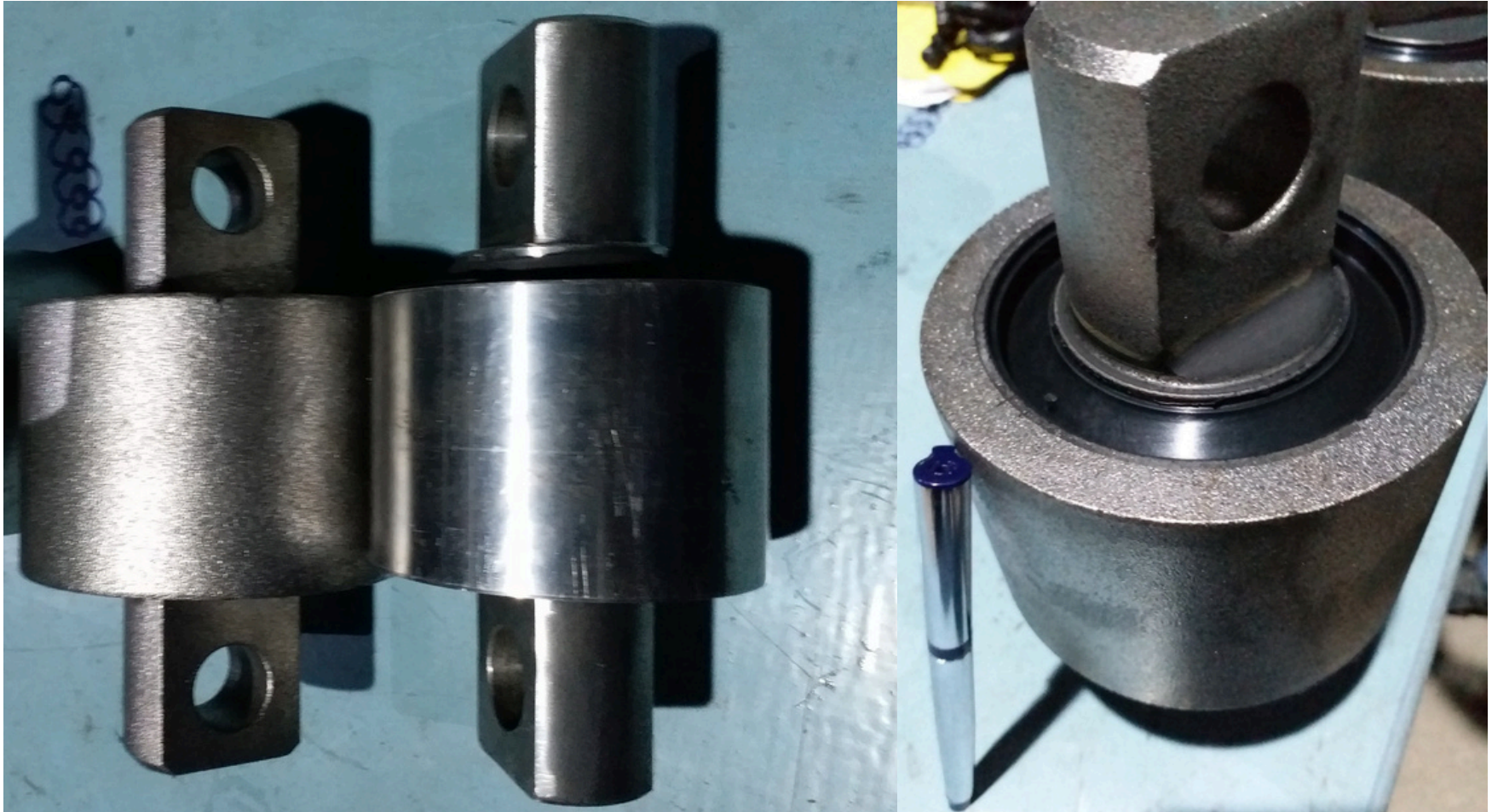
Technical Capabilities



KANAGATA Technologies Pvt Ltd.

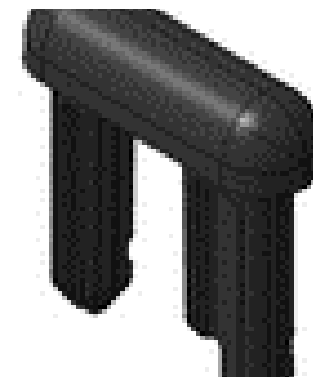
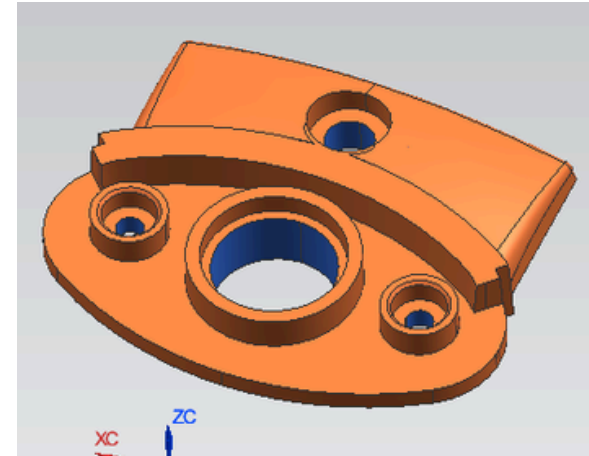
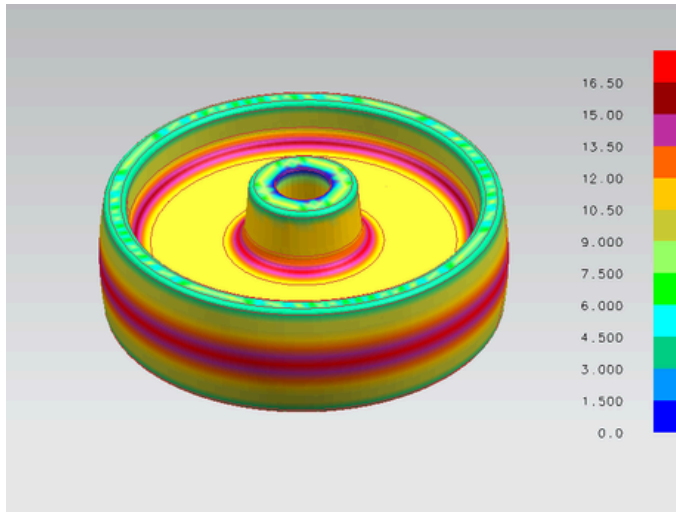


Technical Capabilities



MOULDS FOR RUBBER TO METAL COMPONENTS

Technical Capabilities for Plastic Components



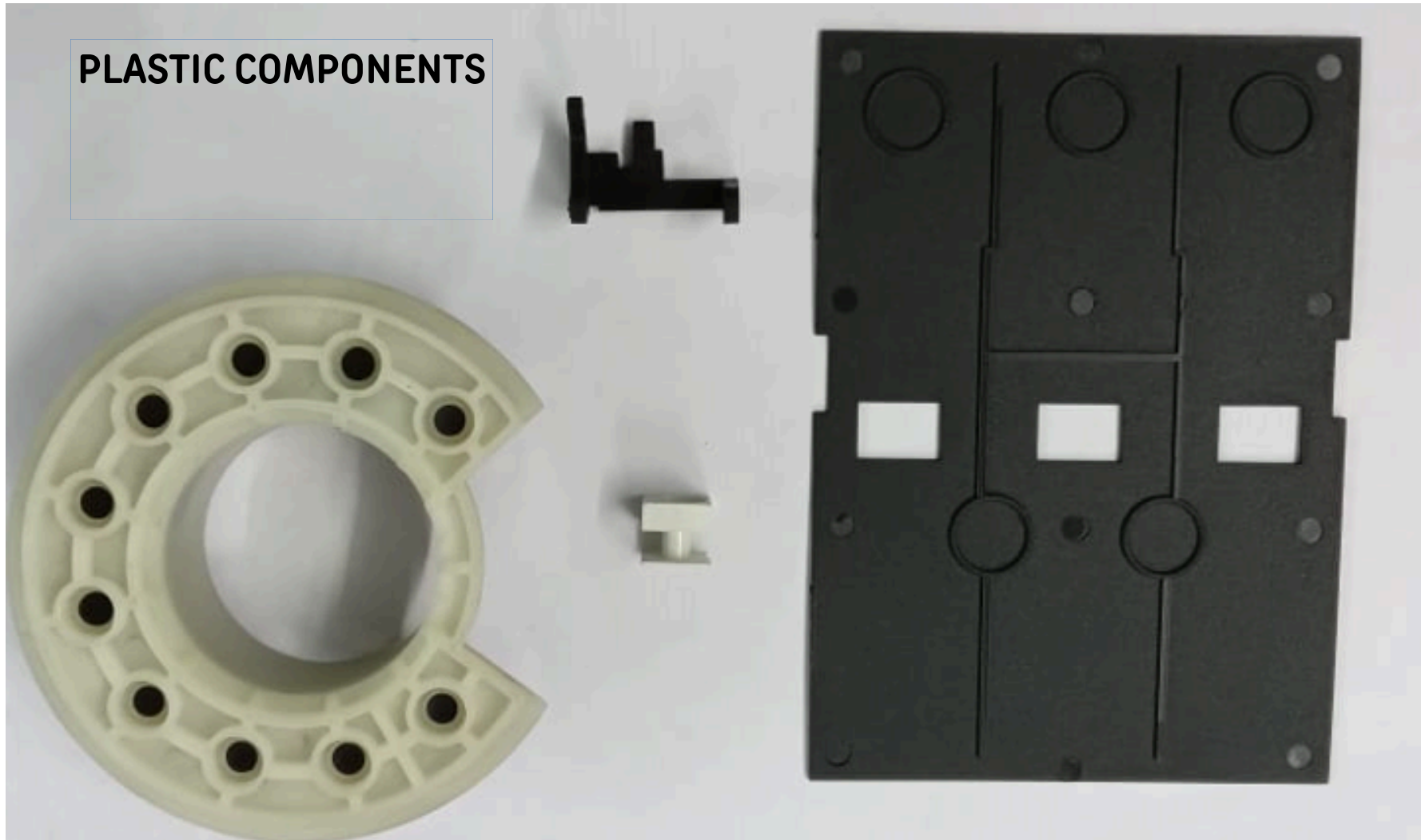
Technical Capabilities



RUBBER COMPONENTS



Technical Capabilities



Technical Capabilities



PLASTIC COMPONENTS



Various Steels used in Moulds/Tools

KANAGATA

- C45
- S55C
- NAK55 (DAIDO)
- NAK80 (DAIDO)
- P20- 1.2311 / 1.2738
- D2-K110 (Bohler)
- STAVAX-1.2083

Core Strength



- All types of Molds for Rubber / Plastic/ Aluminum Components
- Various types of Stamping Dies/ Assembly Tools/Swaging Tools/Crimping/Flaring Tools
- Assembly Conveyors / Assembly Tables
- Pneumatics /Hydraulic SPMs(Special Purpose Machines)
- Checking Fixtures
- Machined Component

Present Customers

KANAGATA



MAT BRAKES INDIA PRIVATE

KANAGATA Technologies Pvt Ltd.



Thank you

